

ULTRAGUARD

UK PATENT

NEW GENERATION BARRIER

Ultra Guard -03

New generation barrier Ultra Guard -03 adopts planetary reducer which has the characteristics of high precision, long life, low noise, large output torque and high efficiency.

The 750W AC servo motor has fast speed, large torque, small current and no need for spring balance.

Incredible 10 million MCBF and 100% duty cycle makes it continuously work at 7*24 hrs with long life span.

Its boom direction is exchangeable, boom type can be changed at site without replacing any parts. Opening/closing time 0.3s for Max. 1.8m boom.

It can be controlled and monitored by any third party system via TCP/IP.



Free-maintenance AC servo motor & planetary reducer



10 million cycles MCBF & 100% duty cycle



Boom Auto-Reverse On Obstacle



Boom Swing-off Protects Boom and Vehicle



BOOM AUTO-REVERSE ON OBSTACLE

While moving down, boom will automatically reverse immediately once it is obstructed by vehicle or pedestrian, which protects the vehicle or person. The sensitivity is adjustable.



FREE-MAINTENANCE AC SERVO MOTOR & PLANETARY REDUCER

Free-maintenance AC servo motor & planetary reducer ensures 10 million cycles MCBF long life span, high transmission efficiency and high torque bearing capacity etc.; 100% duty cycle makes barrier continuously work at 24*7 hours; Max. 750W super power makes the barrier outputs super strong torque with high stability.

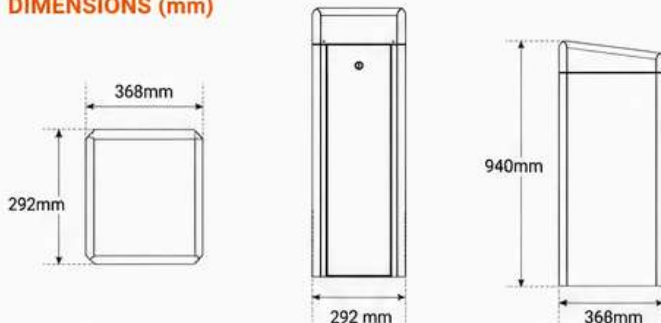


BOOM SWING-OFF PROTECTS BOOM AND VEHICLE

Boom will swing off 90 degree if it was hit by a vehicle, this is to protect both vehicle and boom. It is optional. You can easily add swing-off module to a barrier which is without swing-off.



DIMENSIONS (mm)



TECHNICAL SPECIFICATIONS

Power Supply	AC 220V $\pm 10\%$, 50/60Hz
Motor Type	AC Servo Motor
Motor Power	Max. 750W
Reducer Type	Planetary Reducer
Opening / Closing Time	0.3s (Max. 1.8m boom)
MCBF	10 million cycles
Duty Cycle	100%
Boom Length	Max. 1.8m (Straight boom)
Communication	TCP/IP
Working Temperature	-30°C ~ +70°C
Protection Class	IP54



HIGH PRECISION AND STABILITY



FAST SPEED
0.3S OPENING



EXCHANGEABLE
BOOM DIRECTION



TCP/IP CONTROL & MONITORING



24/7
CONTINUOUS
OPERATION